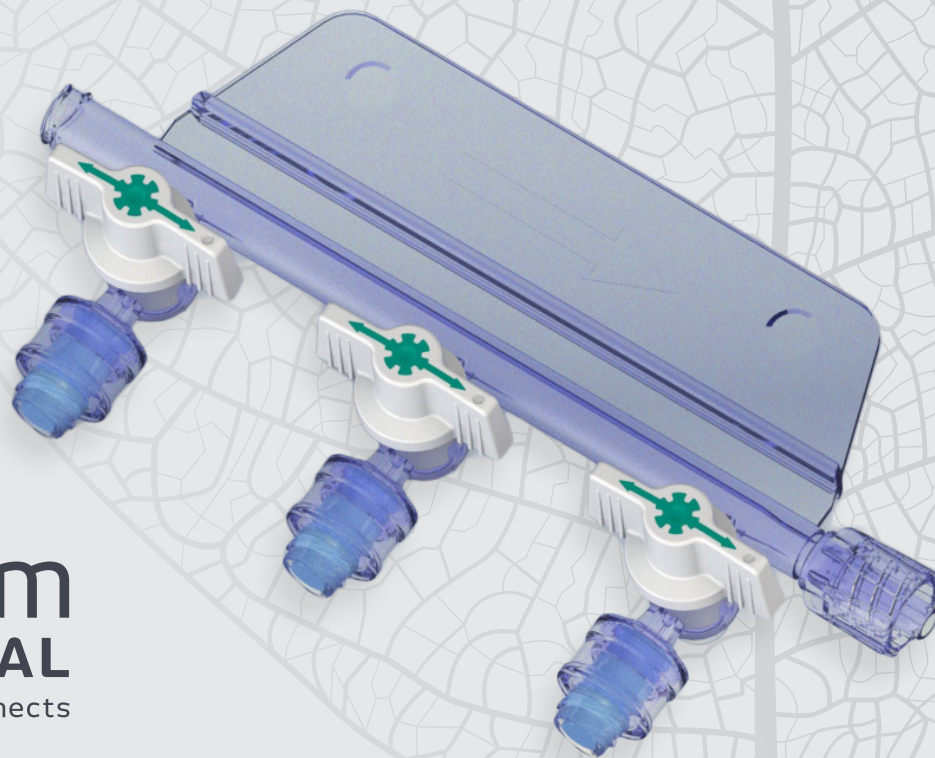


# SafePort™ Manifold

For your peace of mind in anesthesia administration

Induction of anesthesia during operation is involved with enormous responsibility, requires multiple skills and focus. By integrating the SafePort™ Manifold into your solutions, you will be able to create ease and simplify the anesthesiologists' work during procedures.



Intensive care & Anesthesia



 Elcam Devices

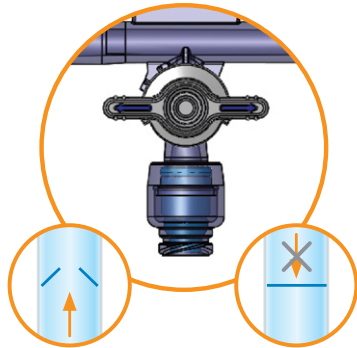
 Elcam Stopcocks

 Elcam Accessories

**The SafePort™ is an improved function manifold with patented dual flow option innovative side-port valves .**

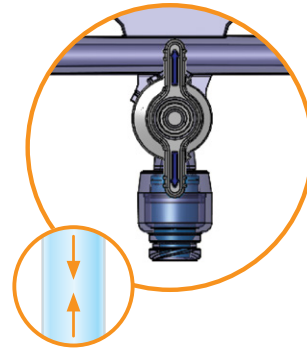
The two flow options are controlled by a simple 90° turn of the handle: Accessible for two-way free flow or one way pressure activation.

One way pressure activated



Pressure Activated gate    Sealed gate to I.V line

Free Flow

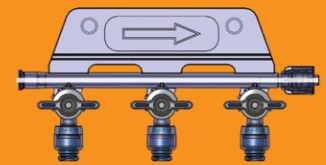


Free flow of fluid in both directions

**Each port of the SafePort™ manifold allows delivery by pump, multiple syringes, IV lines with preferred solutions or drugs, and enables aspiration.**

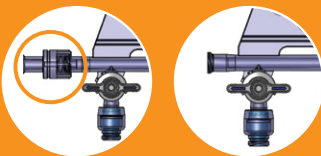
**Benefits:**

- Minimizes the likelihood of inadvertent injection
- Reduces the risk of inadvertent drugs admixture
- Assures zero backflow
- Eliminates the risk of gas embolism or blood loss during disconnection of the syringe
- Needle free connection - prevents needle-stick injuries
- Clear and visible control over flow direction and fluid path
- Easy to use
- Enables single-handed operation
- Available as a closed system with integrated Swabbable Luer Activated Valves, for minimizing leakages and exposure to contamination.

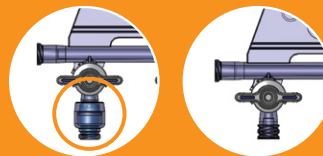


**Configurations:**

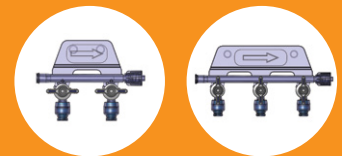
With or without in-line check valve



With or without swabbable valves



Two or Three gangs



Regulatory status: 510(k) cleared

The device is biocompatible according to ISO 10993-1



[www.elcam-medical.com](http://www.elcam-medical.com)

Head Office / Manufacturer  
Elcam Medical

BarAm 1386000,  
Israel  
Tel: 972 4 698 8120/1  
Fax: 972 4 698 0777  
sales@elcam.co.il

USA  
Elcam Medical Inc.

1 University Plaza, Ste. 511  
Hackensack, NJ 07601  
Tel: +1 201 4571120  
Fax: +1 201 4571125  
info@elcam-medical.com

Europe  
Elcam Medical Europe

Via Emilia Romagna 15,  
41012 Carpi (Modena) Italy  
Tel: +39 059 697710  
Fax: +39 059 697705  
sales.eu@elcam-medical.com

China  
Elcam China Office

Room 3309, Jinhai Mansion  
No. 89 of Anshun Road,  
Shanghai, PRC. Zip: 200051  
Tel: +86 21 62829967  
Fax: +86 21 62829967  
johnliu02@126.com